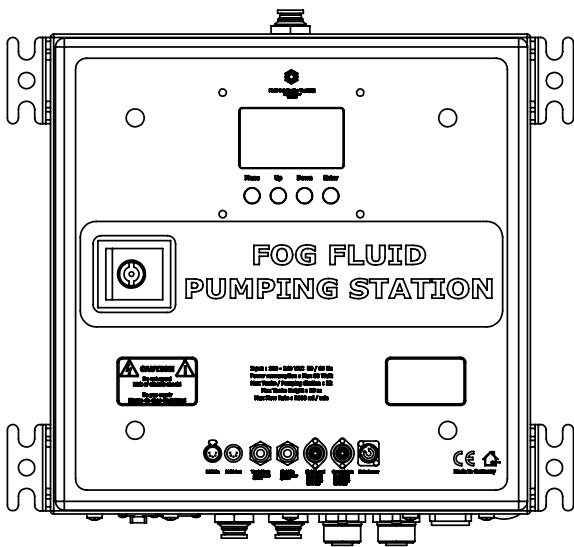


# Pumping station

Fluid supply unit

A Look Solutions product



supplies up to 32 fog generators with fog fluid

16 time blocks with programmable start- and stop time

made in Germany

The **Pumping station** supplies fluid from one base to up to 32 connected haze- or fog generators located up to 15 m height.

Thus, also fog generators located at not easily accessible places can be feeded, superseded regularly changing or refilling the fluid canister.

The **Pumping station** can be located in a suitable place (wall-mounted frame) and connected to a barrel or 25L-canister for fluid.

A special barrel-/canister connector with extraction- and venting hose guarantees easy operation.

The fog generators must be equipped with special fluid reservoirs.

Due to the quick acting connector, the reservoirs can be connected to all Look generators.

Modified tank holder with reservoir are available for Viper nt and Viper 2.6, for other machines the fluid reservoir will be delivered with a hanging yoke.

An air level placed in the lid simplifies an exact justification.

The connection to the **Pumping station** and between the fluid reservoirs is been made with a 10mm-PU-hose.

To ease the laying of the hose, several connectors are available (straight, T-, Y- and L-connectors).

The fluid reservoir contains an adequacy amount of fog fluid and will be automatically refilled by the **Pumping station** if necessary.

Thus, the connected fog generators won't run dry.

The system is equipped with mechanical protectors to avoid overfilling of the fluid reservoirs.

The protector even notes when the fluid hose is leaking, and the **Pumping station** stops working after a pre-programmed time.

As an option, electronical sensors can be added to increase safety.

Several settings as well as the adjusting of the DMX address can be made at a RDM desk via the **DMX/RDM-function**.

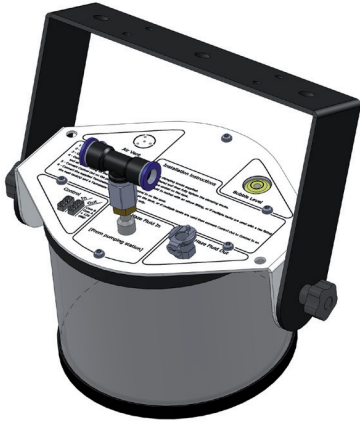
The **Pumping station** can be controlled directly at the display, via DMX or with the internal Timer.

The Timer can be sectioned into 16 blocs with different Start- and Stop-time.

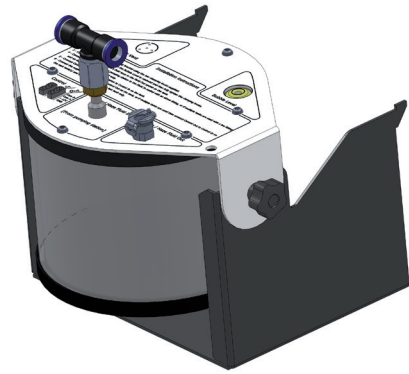
Thus, the **Pumping station** only works during the programmed time.

The **Pumping station** is made for fixed installations. Nevertheless it can also be used on tour. Helpful tools like self-locking connectors facilitate a frequent in- and deinstallation.

## Fluid reservoirs

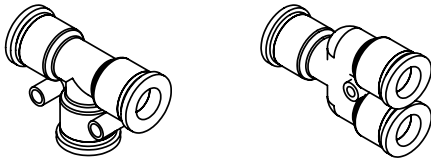


Fluid reservoir with hanging yoke

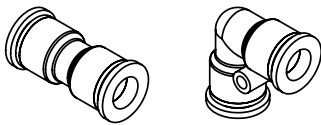


Fluid reservoir with modified tank holder

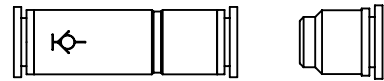
## Connectors



T- & Y-connectors



Straight & L-connector



Self-locking connector & end fitting

## Specifications

<b>Voltage</b>	110 V - 230 V
<b>Power consumption</b>	80 Watt
<b>Control</b>	manual DMX/RDM internal Timer
<b>Dimensions (L x W x H)</b>	36 x 36 x 23 cm
<b>Weight</b>	11.3 kg

## Package includes

- Pumping station
- Mains cable with Powercon-connector
- 1 self-locking connector and 1 end fitting

## Needed accessories

- Fluid reservoir and T-connector with hanging yoke or modified tank holder (to connect to Look Viper-series)
- Connecting hose (10 mm PU)
- Barrel-/canister connector with extraction- and venting hose
- Connectors

## Service

Based on the strong partnership with the manufacturer, Look Solutions is able to provide a quick and easy service which guarantees the high quality of all products.